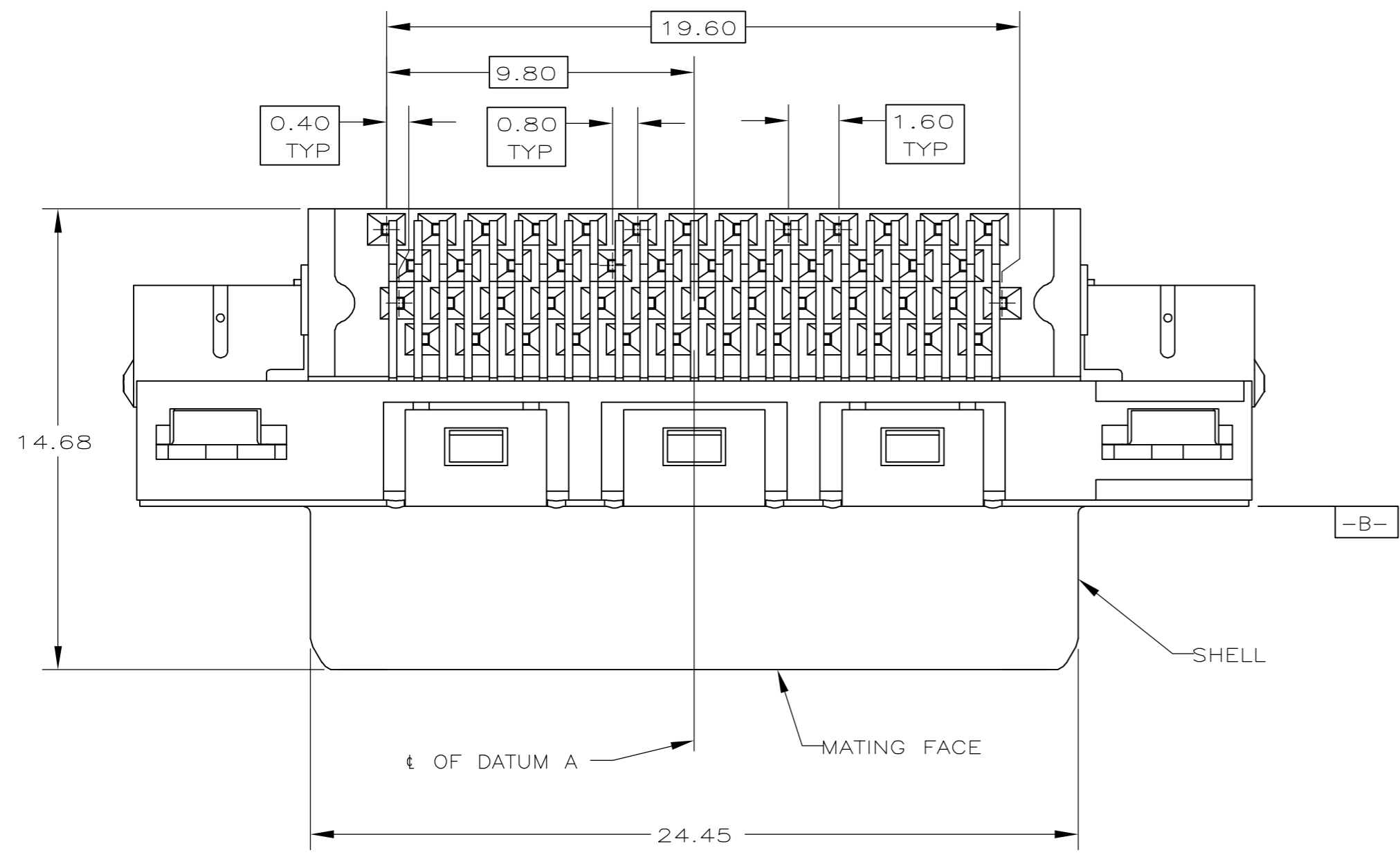
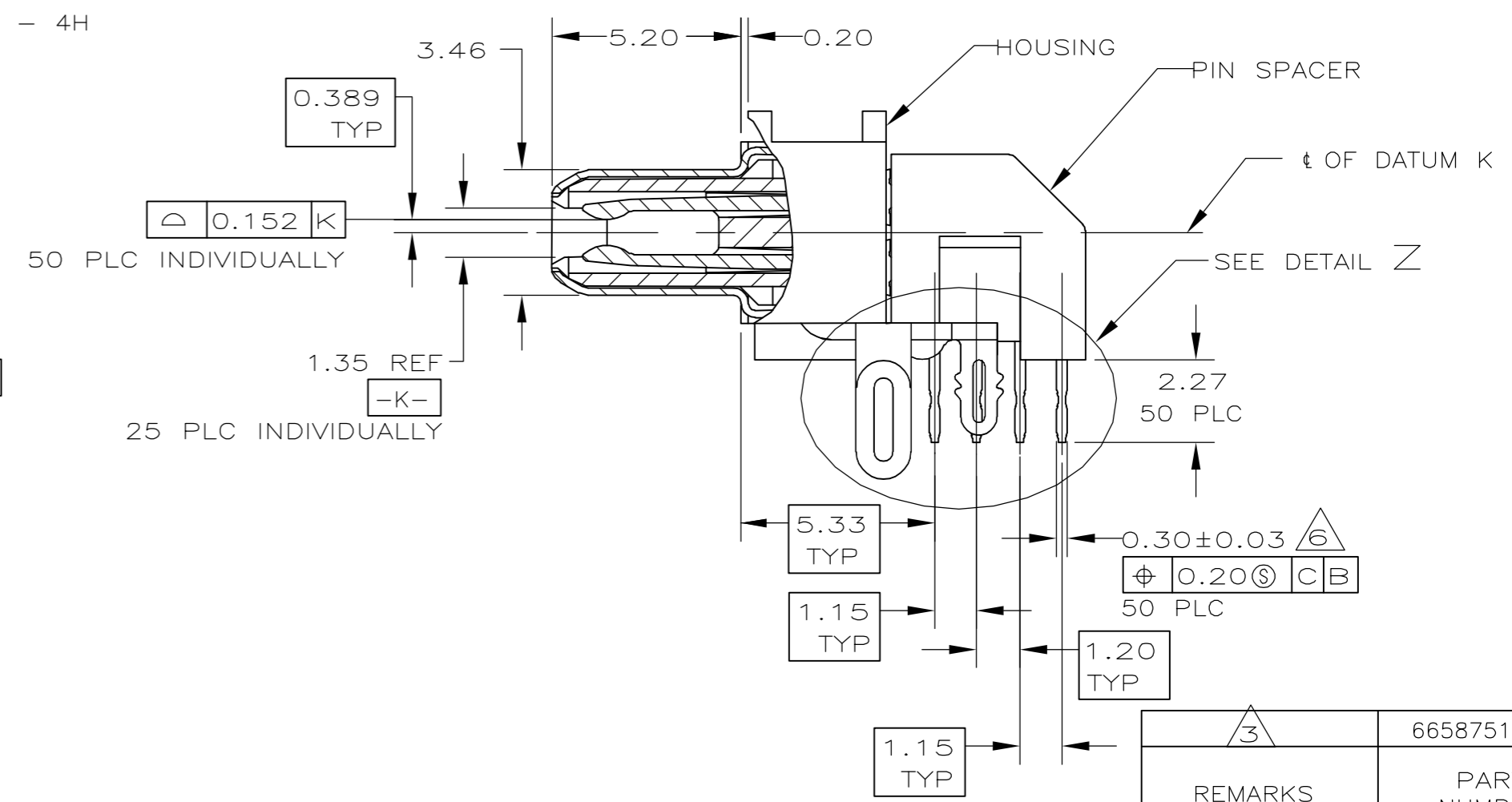
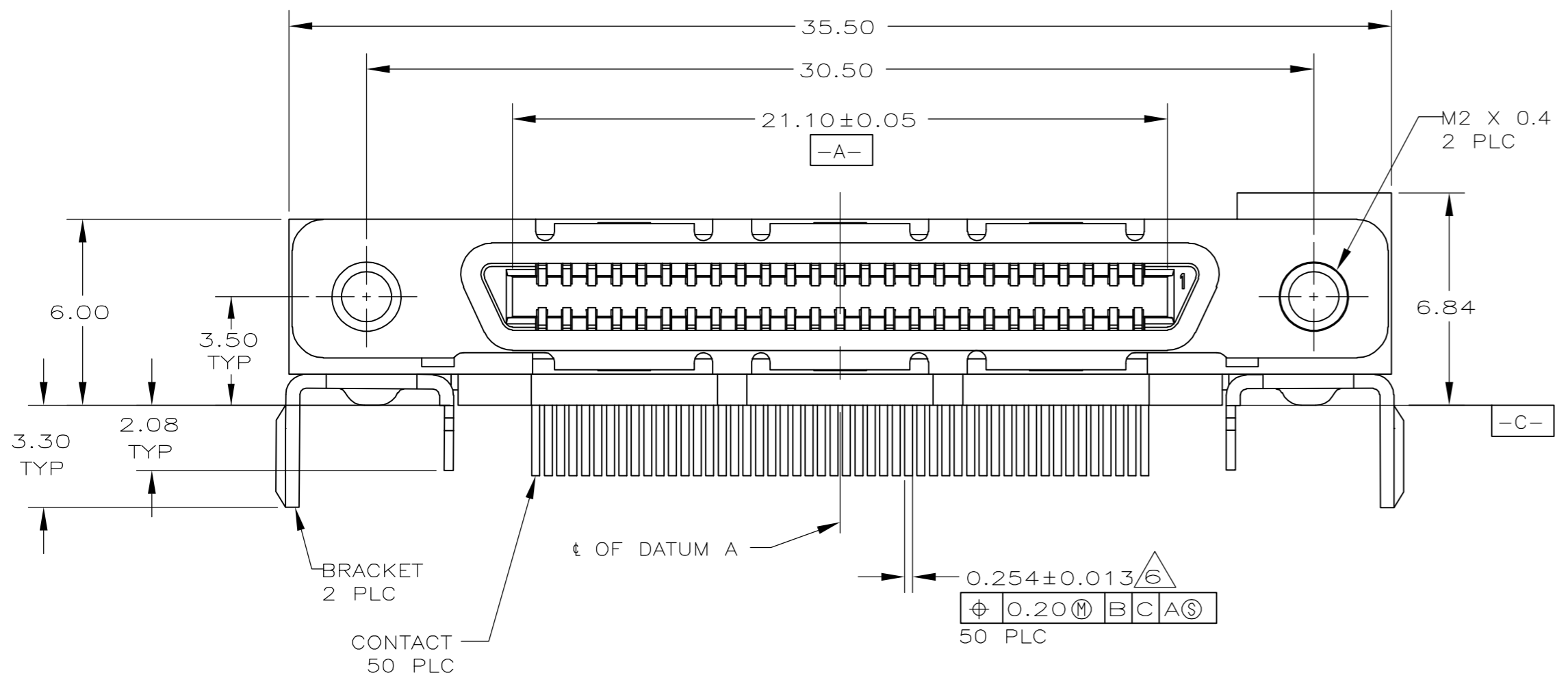


THIS DRAWING IS UNPUBLISHED. RELEASED FOR PUBLICATION
 © COPYRIGHT BY TYCO ELECTRONICS CORPORATION. ALL RIGHTS RESERVED.

LOC	DIST	REVISIONS			
P	LTR	DESCRIPTION	DATE	DWN	APVD
GP	00	A	REVISED PER ECO-07-004221	30MAR07	JDP EDB



- 1 HOUSING & PIN SPACER: THERMOPLASTIC, BLACK, UL 94V-0 RATED.
SHELL: CARBON STEEL.
CONTACTS: PHOSPHOR BRONZE.
BRACKETS: STEEL.
- 2 SHELL: 5.08 μm MIN NICKEL OVER 2.54 μm MIN COPPER.
CONTACTS: 0.76 μm MIN GOLD ON MATING END, 3.75 μm MIN TIN ON SOLDER TAILS, BOTH OVER 1.27 μm MIN NICKEL ON ENTIRE CONTACT.
BRACKETS: TIN PLATED.
- 3 CONTACTS DESIGNED FOR USE ON 1.60±0.15 THICK PC BOARD WITH PLATED THRU MOUNTING HOLES.
- 4 RECEPTACLE ASSEMBLY DESIGNED FOR USE WITH 1.12±0.08 THICK PANEL.
- 5 DATUMS AND DIMENSIONS ESTABLISHED BY CUSTOMER.
- 6 POSITION TOLERANCE APPLIES AT CONTACT TIP ONLY.

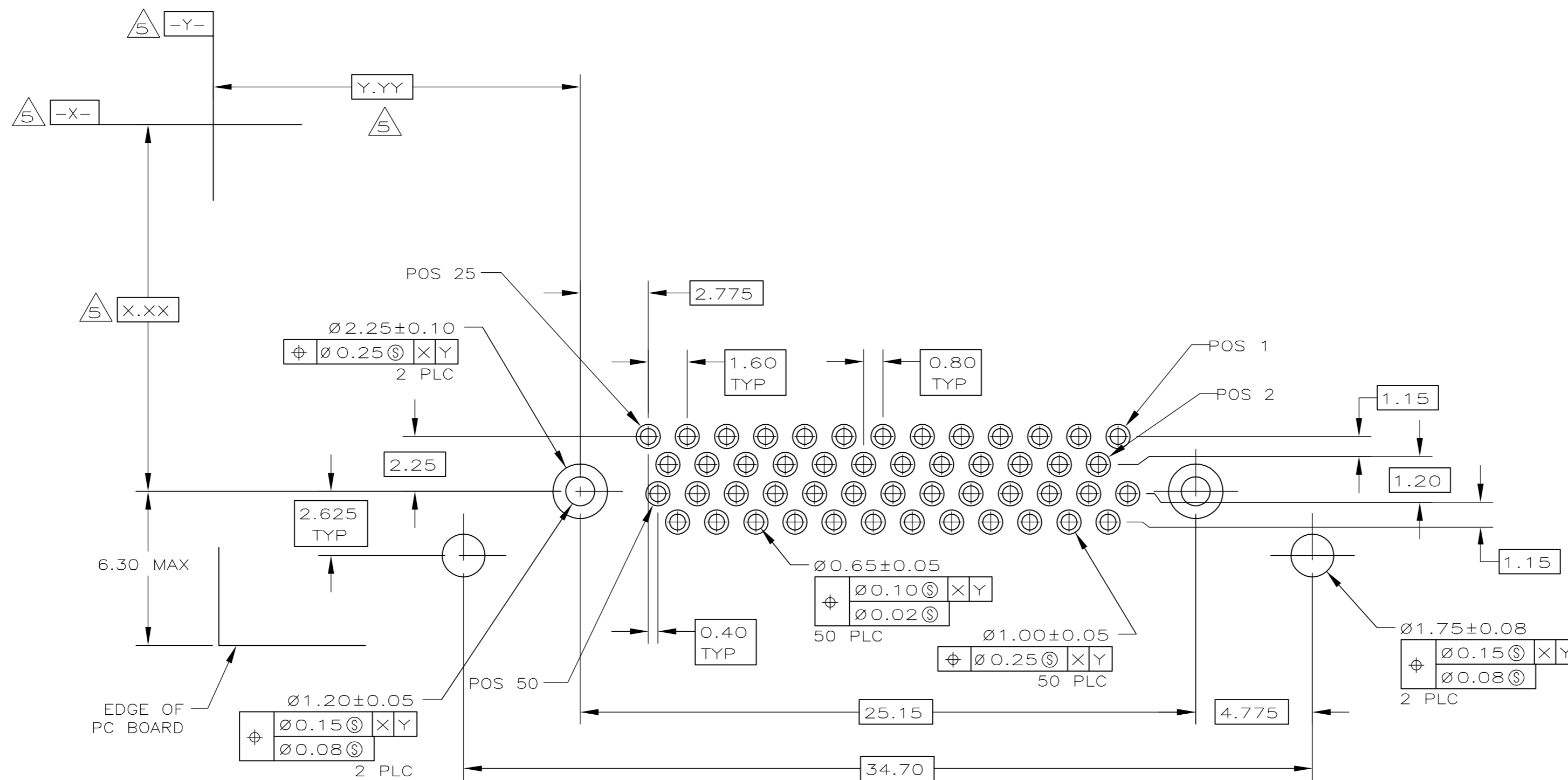


REMARKS	6658751-1
PART NUMBER	

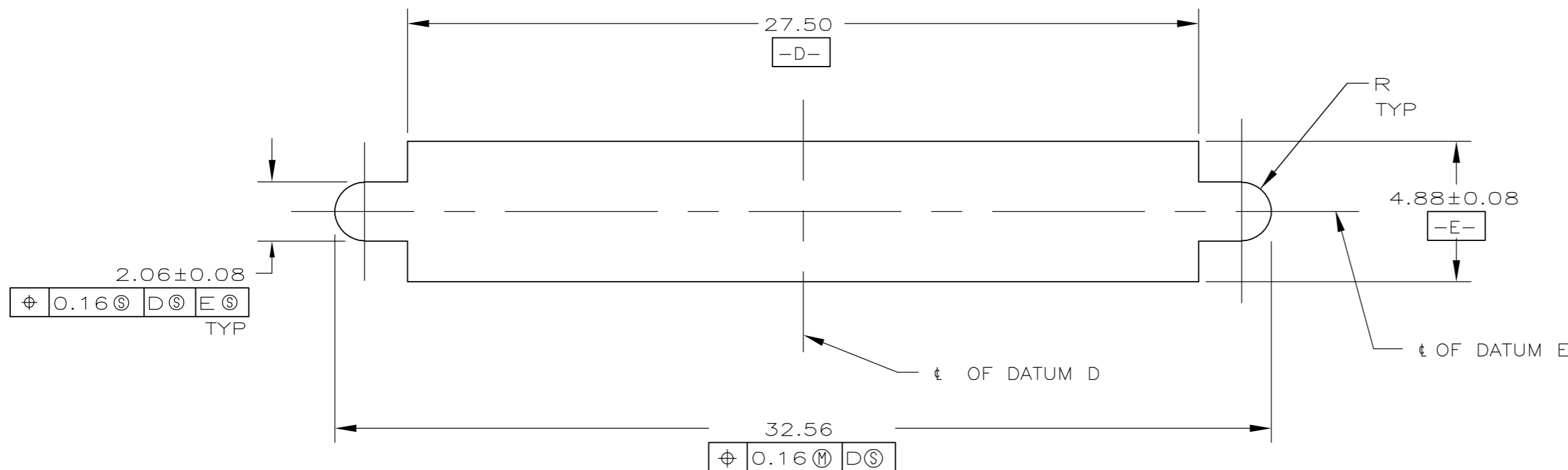
THIS DRAWING IS A CONTROLLED DOCUMENT.		DWN L. VARELA - DOCK5 08-01-05	Tyco Electronics Corporation Harrisburg, Pa 17105-3608
DIMENSIONS: mm		CHK S. SHUEY 08-01-05	
TOLERANCES UNLESS OTHERWISE SPECIFIED:		APVD M. WALMSLEY 08-01-05	NAME
0 PLC ± -	1 PLC ± -	PRODUCT SPEC	RECEPTACLE ASSEMBLY, 50 POSITION, SHIELDED, RIGHT ANGLE, CHAMP 0.8mm
2 PLC ± 0.13	3 PLC ± -	APPLICATION SPEC	SIZE A2 CAGE CODE 00779 DRAWING NO C=6658751
4 PLC ± -	ANGLES ± 1°	WEIGHT -	RESTRICTED TO
MATERIAL 1	FINISH 2	CUSTOMER DRAWING	SCALE 6:1 SHEET 1 OF 2 REV A

THIS DRAWING IS UNPUBLISHED. RELEASED FOR PUBLICATION
 © COPYRIGHT BY TYCO ELECTRONICS CORPORATION. ALL RIGHTS RESERVED.

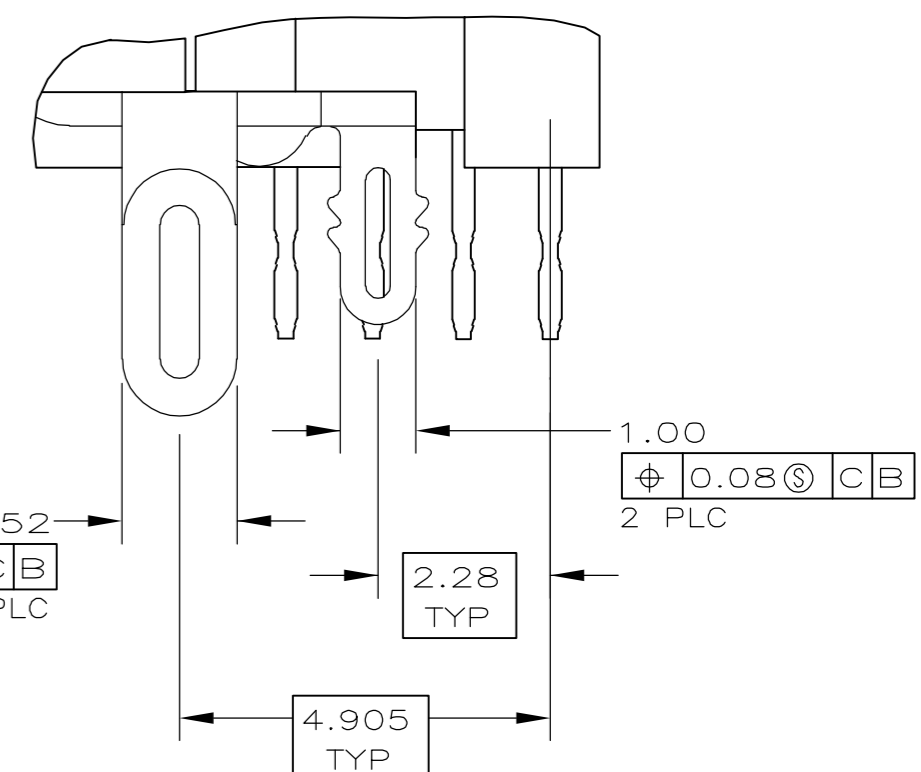
LOC	DIST	REVISIONS					
GP	00	P	LTR	DESCRIPTION	DATE	DWN	APVD
		-		SEE SHEET 1	-	-	-



PC BOARD MOUNTING DIMENSIONS Δ 3



PANEL CUT-OUT DIMENSIONS Δ 4



DETAIL Z
SCALE 10:1

THIS DRAWING IS A CONTROLLED DOCUMENT.		DWN	08-01-05	tyco Electronics	Tyco Electronics Corporation	
		L. VARELA - DOCK5	08-01-05		Harrisburg, Pa 17105-3608	
DIMENSIONS:		CHK	08-01-05	NAME		
mm	TOLERANCES UNLESS OTHERWISE SPECIFIED:	S. SHUEY		M. WALMSELY		
	0 PLC ± -	APVD	08-01-05	PRODUCT SPEC		
	1 PLC ± -	APPLICATION SPEC		SIZE		
	2 PLC ± 0.13	-		CAGE CODE		
	3 PLC ± -	-		DRAWING NO		
	4 PLC ± -	-		RESTRICTED TO		
	ANGLES ± 1°	WEIGHT		A2 00779 C=6658751		
MATERIAL	FINISH	-		SCALE		
-	-	-		6:1 SHEET 2 OF 2 REV A		
CUSTOMER DRAWING						